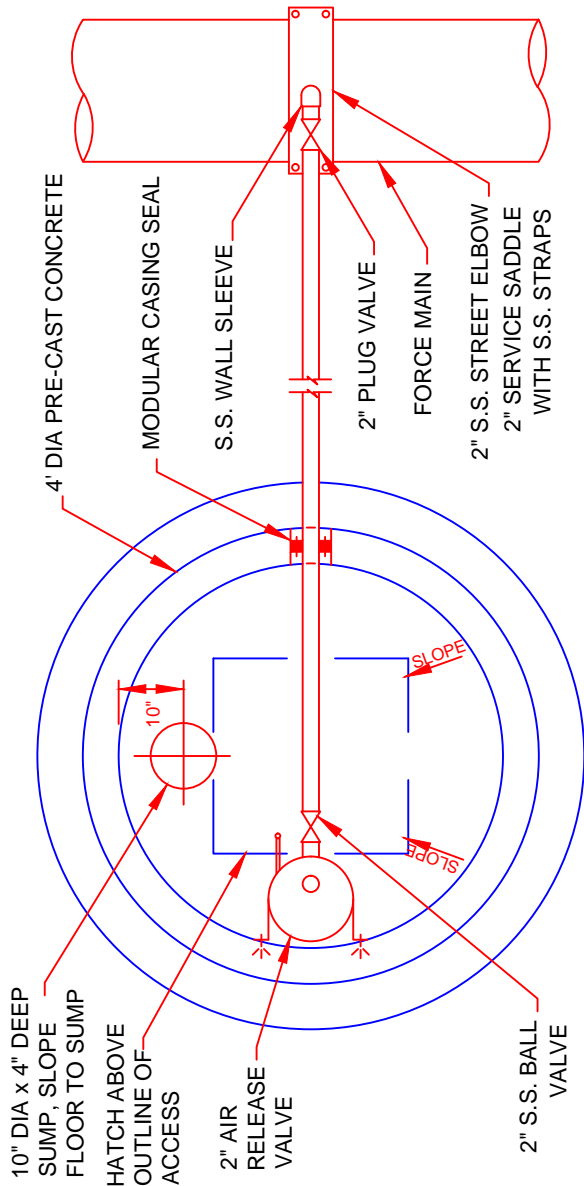


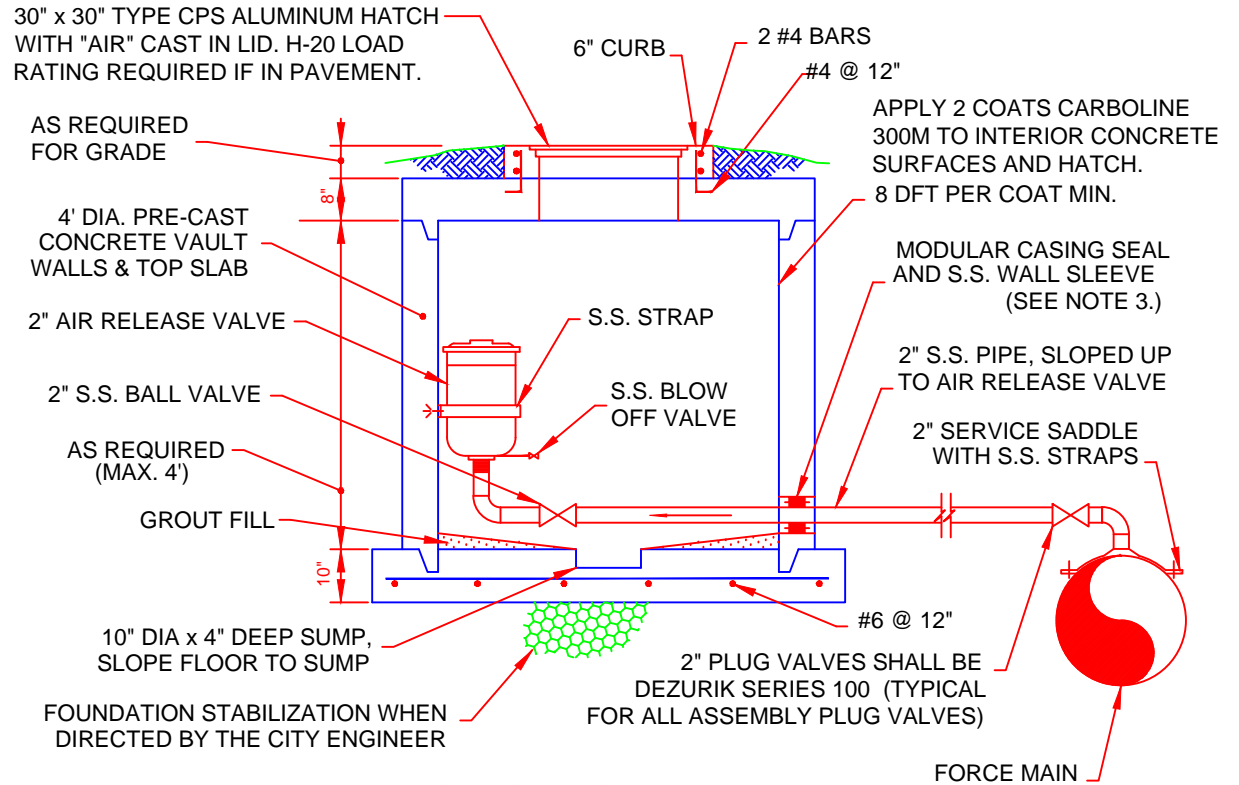
PUBLIC WORKS & UTILITIES ENGINEERING & DESIGN STANDARDS



PLAN VIEW

NOTES:

1. ALL MOUNTING HARDWARE, FASTENERS, PIPING, VALVES, AND OTHER ITEMS WITHIN VAULT SHALL BE STAINLESS STEEL, UNLESS SPECIFIED OR NOTED BY OTHERS.
2. LOCATION OF VAULT MAY BE DIRECTLY OVER MAIN IF CONDITIONS ALLOW.
3. RECOMMENDED OPENING TO BE CORED AFTER INSTALLATION.
4. ONLY ARI MODEL D-025 COMBINATION AIR VALVE FOR SEWAGE SHORT VERSION 2" THREADED / STAINLESS STEEL 316, 250 PSI WORKING PRESSURE - TESTED TO 350 PSI OR EQUAL SHALL BE USED. SUBSTITUTIONS SHALL BE CONSIDERED FOR APPROVAL BY THE CITY ENGINEER AND CHIEF LIFT STATION OPERATOR.



SECTION VIEW



CITY OF ALTAMONTE SPRINGS
950 CALABRIA DRIVE
ALTAMONTE SPRINGS, FLORIDA 32714

AIR RELEASE VALVE ASSEMBLY

SS006-2

ISSUED 2017

REVISED 03/01/2017 BY DJB