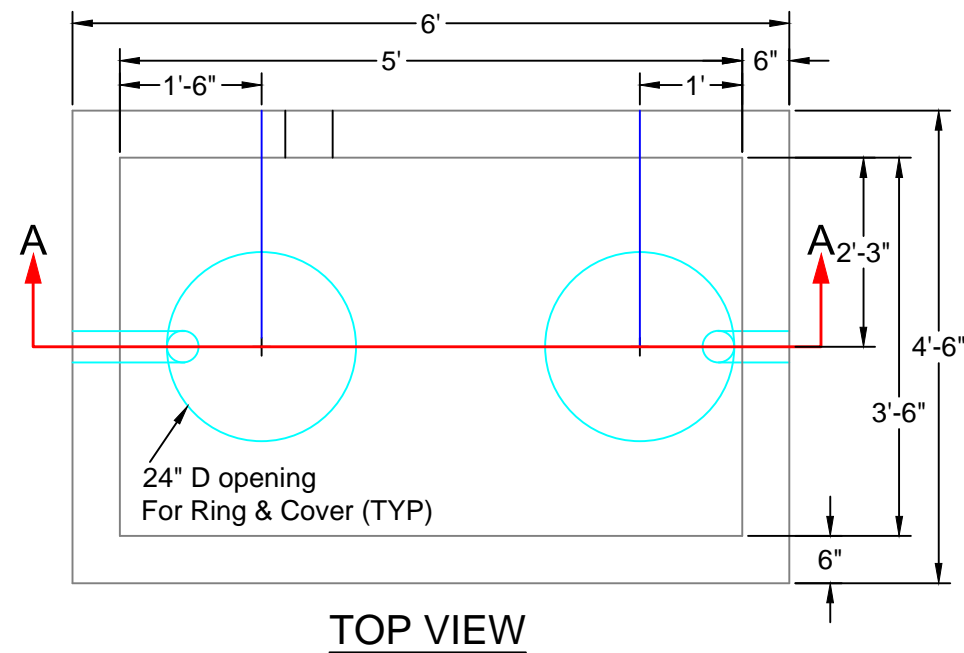
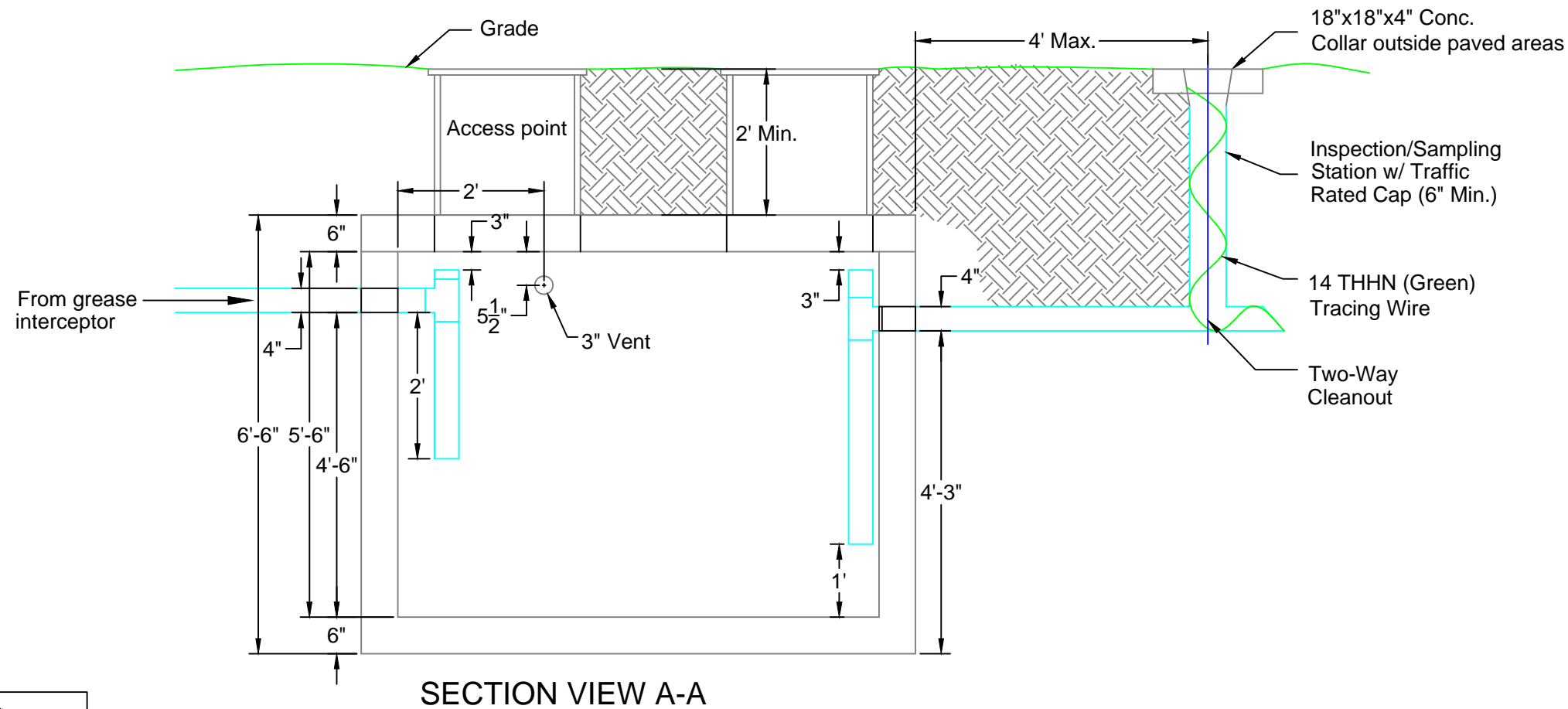


PUBLIC WORKS & UTILITIES ENGINEERING & DESIGN STANDARDS



APPROVED GREASE INTERCEPTORS CONFIGURATIONS				
Required Volume	Primary Interceptor	Secondary Interceptor	Third Interceptor	Polishing Tank
750	750			
1000	100			
1250	1250			
1600	1600			
1750	1250			500
2100	1600			500
2500	2000			500
3000	2500			500
3500	3000			500
4000	3500			500
4500	2000	2000		500
5500	2500	2500		500
6500	3000	3000		500
7500	3500	3500		500
8000	2500	2500	2500	500
9500	3000	3000	3000	500
11000	3500	3500	3500	500



CITY OF ALTAMONTE SPRINGS
950 CALABRIA DRIVE
ALTAMONTE SPRINGS, FLORIDA 32714

GREASE POLISHING TANK

SS005-3E

ISSUED 2017

REVISED 03/01/2017 BY DJB