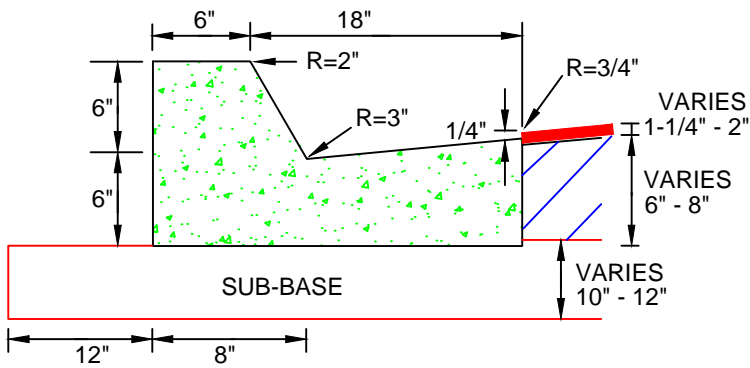
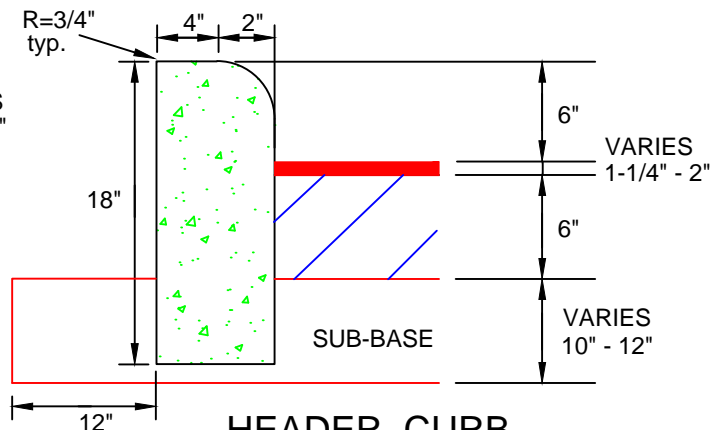


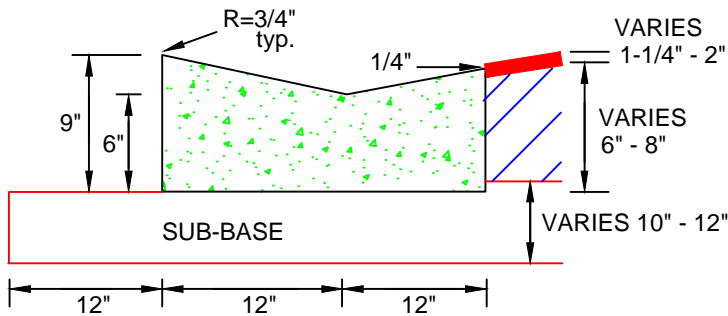
PUBLIC WORKS & UTILITIES ENGINEERING & DESIGN STANDARDS



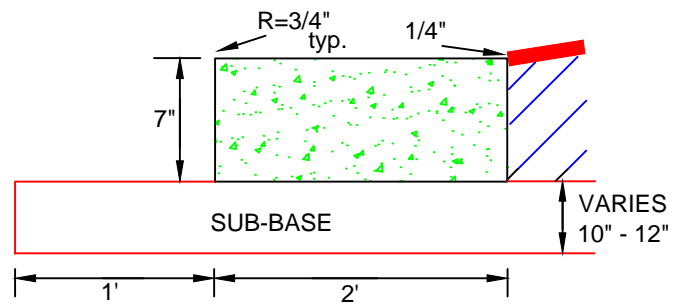
F.D.O.T. TYPE "F" CURB



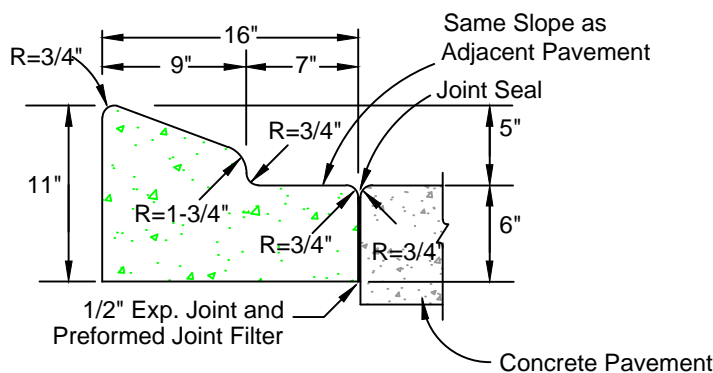
HEADER CURB



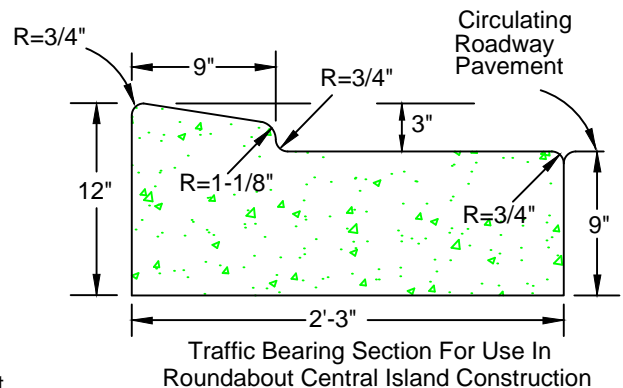
MIAMI CURB



RIBBON CURB



TYPE "A" CURB



TYPE "RA" CURB

NOTES:

1. ALL CURBS TO BE CONSTRUCTED OF 28 DAY, 3,000 P.S.I. CONCRETE.
2. 1/2" PRE-MOLDED EXPANSION JOINT REQUIRED EVERY 500', CONSTRUCTION JOINT REQUIRED EVERY 10' MAXIMUM (4' MINIMUM).
3. 1/2" PRE-MOLDED EXPANSION JOINT REQUIRED AT EACH SIDE OF ALL STORM INLET STRUCTURES AND AT ALL RADIUS POINTS.
4. SUB-BASE TO BE COMPACTED AND TESTED TO 98% MINIMUM DENSITY WITH MINIMUM L.B.R. 40 BASED ON AASHTO T-180 MODIFIED PROCTOR TEST.
5. EXPANSION JOINT MATERIAL MUST COVER THE ENTIRE CROSS SECTION OF CURB.



CITY OF ALTAMONTE SPRINGS
950 CALABRIA DRIVE
ALTAMONTE SPRINGS, FLORIDA 32714

STANDARD CURB CONSTRUCTION

MI009-2

ISSUED 2017

REVISED 03/01/2017 BY DJB